

**BRAZILIAN II SERIES**  
(vertical blades)

**STANDARD CONSTRUCTION:**

**FRAME:**

1-3/4"(44mm) x 4"(102mm) x 0.125"(3.18mm) Aluminum Tube  
(optional tube frames available - consult factory)

**BLADES:**

0.032"(0.81mm) Aluminum, 7-7/16"(189mm)w x 3"(76mm)h  
with 0.050"(1.27mm) Aluminum End Caps

**FINISH:**

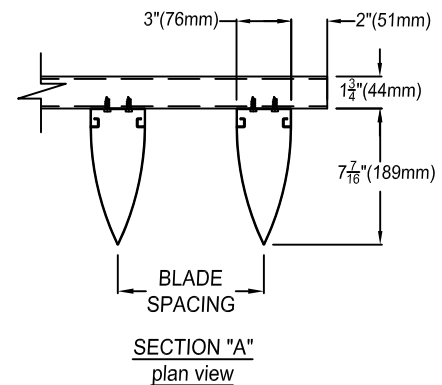
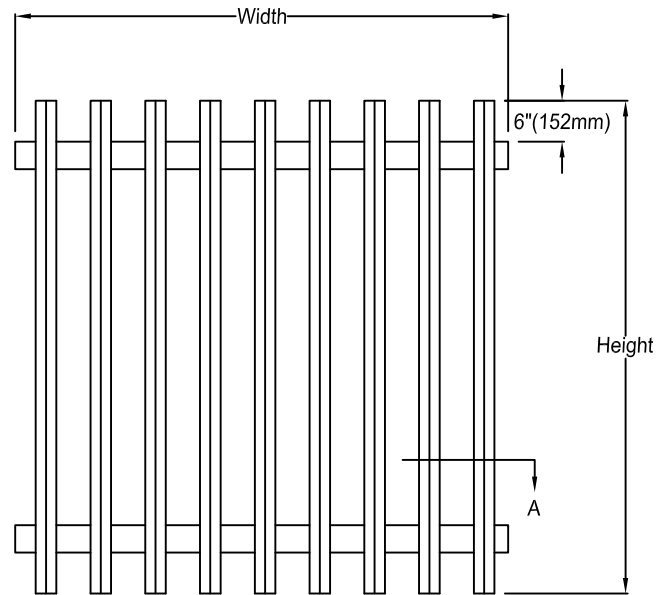
mill aluminum (std.)

**MAXIMUM SIZE:**

84"(2134mm)w x 120"(3048mm)h or 120"(3048mm)w x 84"h(2134mm)

**OPTIONAL FINISHES:**

- Powder Polyester TGIC** (2 coats) baked on at 410°F(210°C) -2.5 to 3.5 mils Meets AAMA-2603 Standards
- Powder Super durable polyester** (2 coats) baked on at 410°F(210°C) -2.5 to 3.5 mils Meets AAMA-2604-05 Standards
- Acrylic baked enamel (ACRA-BOND® ULTRA)** by AkzoNobel baked on at 350°F(176°C) -0.8 to 1.2 mils dry Meets AAMA-2603 Standards
- Kynar® (ALUM\*A\*STAR®)** 2 coats by AkzoNobel baked on at 450°F(232°C) -1.2 to 1.6 mils dry Meets AAMA-2604-05 Standards
- Kynar 500® or HYLAR® 5000 70% TRINAR®** (2 coats) by AkzoNobel baked on at 450°F(232°C) -1.2 to 1.6 mils dry, Meets AAMA-2605-05 Standards
- Kynar 500® or HYLAR® 5000 (70% Tri-Escent II)** (2 coats) by AkzoNobel, a superior finish to other metallic or anodized finishes. A blend of mica, ceramic, and inorganic pigments creates subtle yet dazzling design that goes beyond metallic color without the requirement of a clear coat. 14 standard colors - custom colors available. Baked on at 415°F(213°C) -1.4 to 1.8 mils dry, meets AAMA 2605-05.
- Clear Anodize Match** (paint meets AAMA 611)
- Integral Color Anodize Match** (paint meets AAMA 611)
  - Clear coat available for all above finishes.
  - Hylar® 5000 is a registered trademark of Solvay Solexis, Inc.
  - Kynar® 500 is a registered trademark of Arkema.
  - ALUM\*A\*STAR® 50 and TRINAR® are registered trademarks of AkzoNobel
  - ACRA-BOND® ULTRA is a registered trademark of AkzoNobel



3 part specifications - see online at [www.unitedenertech.com](http://www.unitedenertech.com)



Due to continuing research, United Enertech reserves the right to change specifications without notice.

QUANTITY	WIDTH	HEIGHT	BLADE SPACING	TAG



3005 South Hickory Street  
Chattanooga, Tennessee 37407  
Tel: (423) 698-7715  
Fax: (423) 698-6629  
[www.unitedenertech.com](http://www.unitedenertech.com)

**BRAZILIAN II SERIES (vertical blades)**

DRAWN BY: CLJ	DATE: 6-15-10	REV. DATE: 6-24-13	REV. NO. 1	APPROVED BY: BGT	DWG. NO.: <b>C-18</b>
------------------	------------------	-----------------------	---------------	---------------------	--------------------------